

Table A.5 — Dimensions of composite reducer

(The unit is mm)

<i>DM</i>		<i>DN2</i>		<i>L</i> ₁	<i>L</i> ₂	<i>L</i> ₄	<i>S</i> ₅		
mm	inch.	mm	inch.				<i>PN6</i>	<i>PM10</i>	<i>PM16</i>
32	1 1/4	25	1	20	6	70			4.0
40	1 1/2	25	1	45	9	95			4.0
50	2	40	1. 1/2	33	7	88			4.0
		25	1	78	16	128			
65	2. 1/2	50	2	45	9	95			4.0
80	3	50	2	68	14	118			
		40	1. 1/2	100	20	150			4.0
		25	1	145	29	195			
100	4	80	3	50	10	100			4.6
		50	2	118	24	168			
125	5	100	4	64	13	114			5.5
150	6	100	4	125	25	175			6.5
		80	3	175	35	225			
200	8	150	6	100	20				
		100	4	225	45			5.5	
		80	3	275	55				
250	10	200	8	125	25				
		150	6	225	45			6.5	
		100	4	350	70				
300	12	250	10	163	33				
		200	8	288	58		5.0	8.0	
		150	6	388	78				
350	14	300	12	100	20				
		250	10	263	53		5.5	9.0	
		200	8	388	78				
400	16	350	14	113	23				
		300	12	213	43		6.5	10.5	
		250	10	375	75				
450	18	400	16	125				7.5	12.0
		350	14	250					
500	20	450	18	125				8.0	13.0
		400	16	250					
600	24	500	20	250				9.5	
		400	16	500					
700	28	600	24	250				11.0	
		500	20	500					
800	32	600	24	500				12.5	
		500	20	750					
900	36	800	32	250				14.0	
		600	24	750					
1000	40	800	32	500				15.5	
		600	24	1000					

Table A.5 (continued)

DN1		DN2		L ₁	L ₂	L ₄	S _s		
mm	inch.	mm	inch.				PM6	PM10	PM16
Note 1: The outer diameter and wall thickness of the lining pipe are only reference values, the actual size of the purchased lining pipe shall prevail, common lining pipe wall thickness S _s refer to Table A.1. Note 2: For other size reducers, L ₁ is equal to 2.5 times of bigger end size subtract another end size, over laminate thickness S _s is according to equal tee's S _s .									

工业和信息化部标准报批公示

工业和信息化部标准报批公示

工业和信息化部标准报批公示

工业和信息化部标准报批公示

工业和信息化部标准报批公示

工业和信息化部标准报批公示

BA

Annex B
(Informative)

The Overall Dimensions of flanged fittings

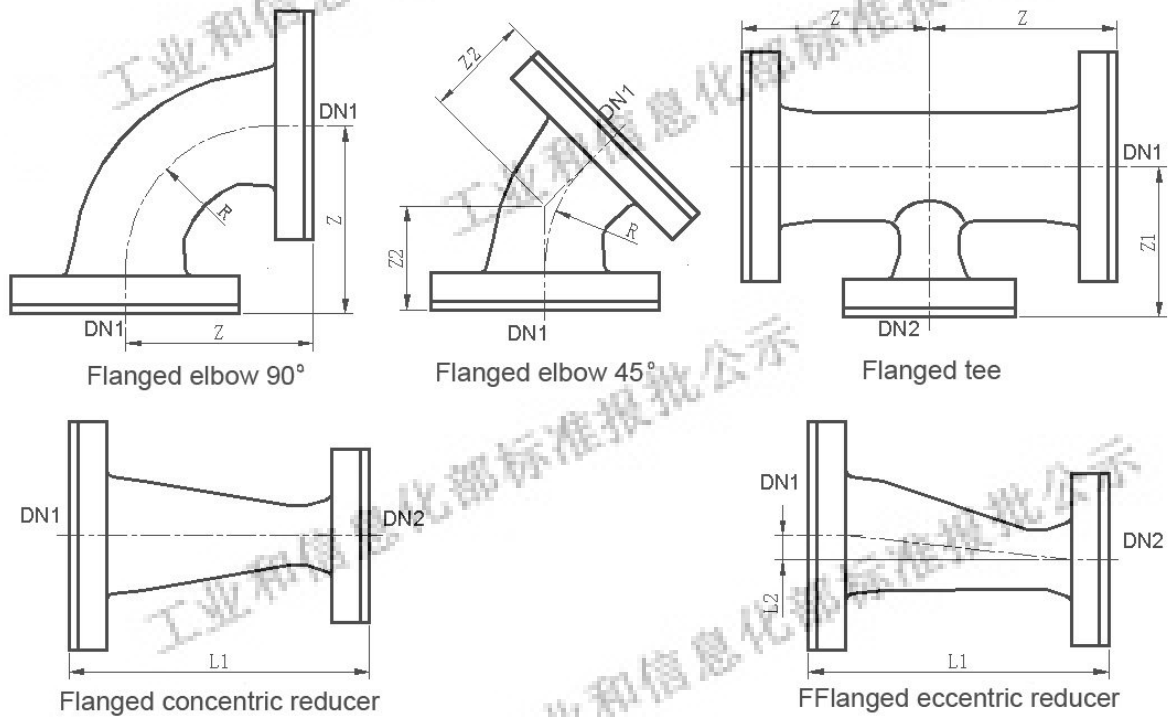


Figure B.1 — Composite flanged fittings

Table B.1 — Dimensions of composite flanged fittings (The unit is mm)

DN1	DN2	Z	Z ₁	Z ₂	R	L ₁	DN1	DN2	Z	Z ₁	Z ₂	R	L ₁	
25	25	125	125	60	60		500	100	300	375			1 000	
32	25	125	100			150		125	300	375				900
	32	125		60	70			150	300	375				850
40	25	125	100			200		200	300	400				750
	32	125	125			150		250	400	400				650
	40	125		60	85			300	400	425				550
50	25	125	100			200		350	400	425				450
	32	125	125			200		400	400	425				350
	40	125	125			150		450	400	450				250
	50	125		65	95			500	500		240	450		
65	25	150	125			200		600	125	300	450			1 100
	32	150	125			200			150	300	450			1 000
	40	150	150			200	200		300	450			900	
	50	150	150			150	250		300	500			800	
	65	150		70	110		300		400	500			700	
80	50	150	150			200	350		400	500			600	
	80	150		80	120		400		450	500			500	

Table B.1 (continued)

DN1	DN2	Z	Z ₁	Z ₂	R	L ₁	DN1	DN2	Z	Z ₁	Z ₂	R	L ₁
100	50	200	150			250	600	450	450	600			400
	80	200	175			200		500	450	600			300
	100	200		100	160			600	600		300	550	
125	50	225	175			300	700	125	400	500			1 200
	80	225	175			250		150	400	500			1 100
	100	225	175			200		200	400	500			1 000
	125	225		115	185			250	400	550			900
150	80	250	200			300	800	300	400	550			800
	100	250	200			250		350	450	550			700
	125	250	200			200		400	450	600			600
	150	250		125	210			450	450	600			500
200	50	300	225			450	900	500	450	600			400
	80	300	225			400		600	500	600			300
	100	300	225			350		700	700		350	650	
	125	300	225			300		125	400	550			1 400
	150	300	225			250		150	400	550			1 200
	200	300		140	260			200	400	550			1 200
250	80	300	250			500	1 000	250	400	600			1 000
	100	300	250			450		300	450	600			900
	125	300	250			400		350	450	600			800
	150	300	250			350		400	450	600			700
	200	300	275			250		450	500	600			600
	250	300		160	260			500	500	700			500
300	80	300	275			550	1 100	600	550	700			400
	100	300	275			500		700	650	700			300
	125	300	275			450		800	800		400	750	
	150	300	275			400		125	400	600			1 400
	200	300	300			350		150	400	600			1 400
	250	300	300			300		200	400	600			1 200
	300	300		190	260			250	450	650			1 200
350	100	300	300			650	1 200	300	450	650			1 000
	125	300	300			600		350	450	650			900
	150	300	300			550		400	500	700			800
	200	300	300			450		450	500	700			700
	250	300	325			350		500	600	800			600
	300	300	325			300		600	600	800			500
	350	350		190	300			700	800	800			400
400	100	300	325			800	1 300	800	800	800		800	300
	125	300	325			700		900	900		450		
	150	300	325			650		150	400	650			1 400
	200	300	350			550		200	450	650			1 400
	250	300	350			450		250	450	650			1 200
	300	400	350			350		300	500	650			1 200
	350	400	375			300		350	500	700			1 000
	400	400		200	350			400	500	700			900

Table B.1 (continued)

DN1	DN2	Z	Z ₁	Z ₂	R	L ₁	DN1	DN2	Z	Z ₁	Z ₂	R	L ₁
450	100	300	350			900	1 000	450	600	700			800
	125	300	350			800		500	600	800			700
	150	300	350			750		600	600	800			600
	200	300	375			650		700	800	800			500
	250	300	375			550		800	800	900			400
	300	400	400			450		900	800	900			300
	350	400	400			350		1 000	1 000		500	900	
	400	400	400			250							
	450	450		220	400								

Bibliography

- [1] HG/T 3731-2004, *Glass fiber reinforced polyvinylchloride pipe and fittings*.
- [2] HG/T 20520-1992, *Fiber reinforced plastics / Polyvinyl chloride (FRP / PVC) composite pipe design requirements (source text: bo li gang/ju lv yi xi (FRP/PVC) fu he guan dao she ji gui ding)*.
- [3] DIN 16964: 1988, *Wound glass fibre reinforced polyester resin (UP-GF) pipes General quality requirements and testing*.
- [4] DIN 16965 (Part 2): 1982, *Wound glass fibre reinforced polyester resin (UP-GF) pipes: type B*.
- [5] DIN 16966 (Part 2): 1982, *Glass fibre reinforced polyester resin (UP-GF) pipe fittings and joints; elbows; dimensions*.
- [6] DIN 16966 (Part 4): 1982, *Glass fibre reinforced polyester resin (UP-GF) pipe fittings and joints; tees, nozzles; dimensions*.
- [7] DIN 16966 (Part 5): 1982, *Glass fibre reinforced polyester resin (UP-GF) pipe fittings and joints; reducers; dimensions*.
- [8] DIN 16966 (Part 6): 1982, *Glass fibre reinforced polyester resin (UP-GF) pipe fittings and joints; bushings, flanges, seals; dimensions*.
- [9] DIN 16966 (Part 8): 1982, *Glass fibre reinforced polyester resin (UP-GF) pipe fittings and joints; laminated joints; dimensions*.

POSTSCRIPT

The translation work of this English version of HG/T 4373—2012 *glass fiber reinforced polyester plastic liner composite pipe and fittings for chemical industry* is authorized by Standardization Administration of the People's Republic of China and organized by the National Technical Committee of Chemical Machinery and Equipment Standardization.

Project Number 2018-W002-HG is approved by Standardization Administration of the People's Republic of China.

The English Version of this Standard is not provided with the legal status. Hence, any judgment of dispute on the interpretation shall be based on the Chinese edition of HG/T 4373—2012 *glass fiber reinforced polyester plastic liner composite pipe and fittings for chemical industry*.

The translation company is Jiashan Sanfang composite Co., Ltd.

The translators are: Wu Ronggen, Xiong Tao

Drafted by: Jiashan Sanfang Composite Co., Ltd

Major Drafters: Xu Jianzhong, Wu Ronggen, Fu Xianming

This standard was first issue.